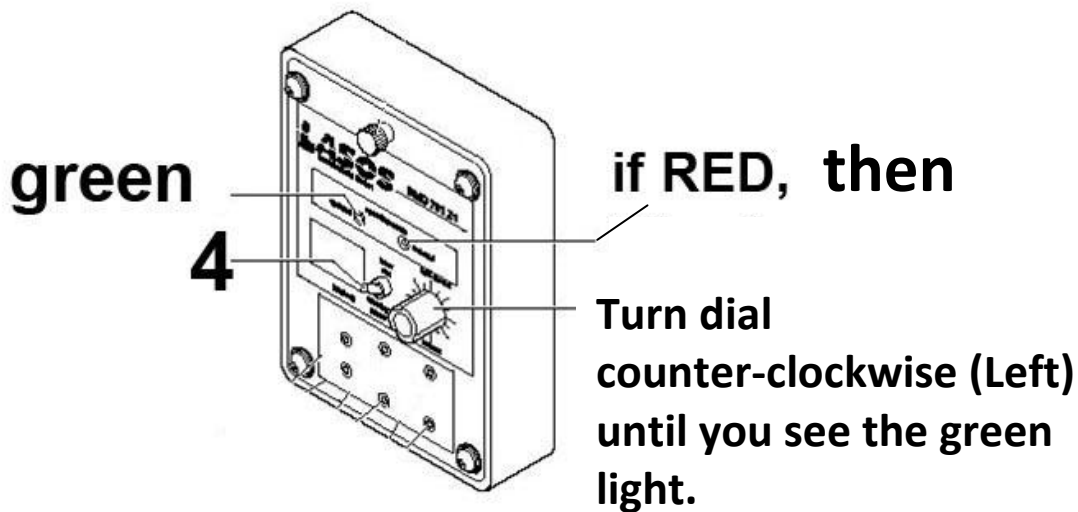
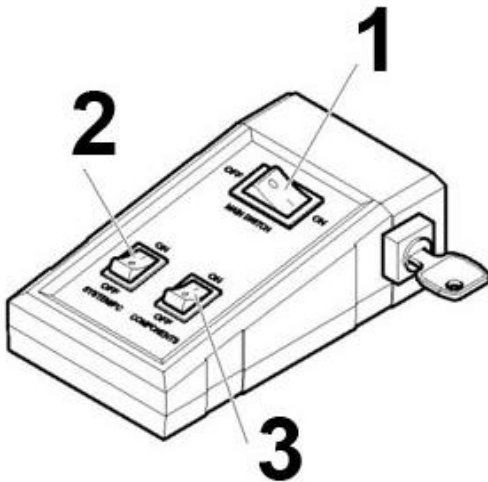


To Turn the System **ON**.

1. Turn on the **MAIN SWITCH**. Wait 20 seconds.
2. Turn on **SYSTEM/PC**. Wait until microscope stand software loads.
3. Turn on **COMPONENTS**.
4. If using the ARGON laser (458, 488, or 514 nm), flip up the **TOGGLE** Switch from Standby to **RUN**. If you are not using the argon laser, then leave it on **STANDBY**.



5. Turn on the **COMPUTER**.

If other people are using the microscope in the same day, then log off from the computer only. Do not turn the system off. If the argon laser will not be used for one hour or more, then switch it to **STANDBY**.

Log on to start your session. **Log off** when you finish your session. You must log off for your files to be uploaded to the server. Usage charges are based on log on and log off times

To Turn the System **OFF**.

If you are the last person to use the microscope for the day, then you must turn it off.

You follow the instructions to turn it on (1, 2, 3, 4, 5) but backwards (5, 4, 3, 2, 1).

5. **Logoff** (wait until you see the real time connection established, lower right corner). **Shut down** the computer. Wait 20 seconds for the computer to shut down completely.

4. Flip down the **TOGGLE** switch from run to **STANDBY**.

3. Turn the **COMPONENTS** off.

2. Turn **System/PC** off. Wait **5 minutes** to let the lasers cool down.

1. Turn **MAIN SWITCH** off.

Turn off the lights and pull the door closed behind you.